

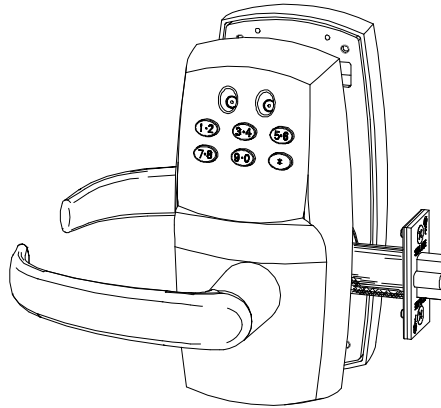
# COBRA

BY SCHLAGE

## Installation Instructions

### MPC COBRA MANUALLY PROGRAMMABLE CYLINDRICAL LOCKING SYSTEM

The MPC Cobra is a battery-powered manually programmed access control system. Up to 100 individual codes can be programmed right at the keypad. A red and green LED on the keypad provide visual indication for programming and access events. Mechanical key override is possible when a 7-pin small-format interchangeable core (not included) is installed in place of the cylinder plug, which comes standard. Either the plug or the IC core must be

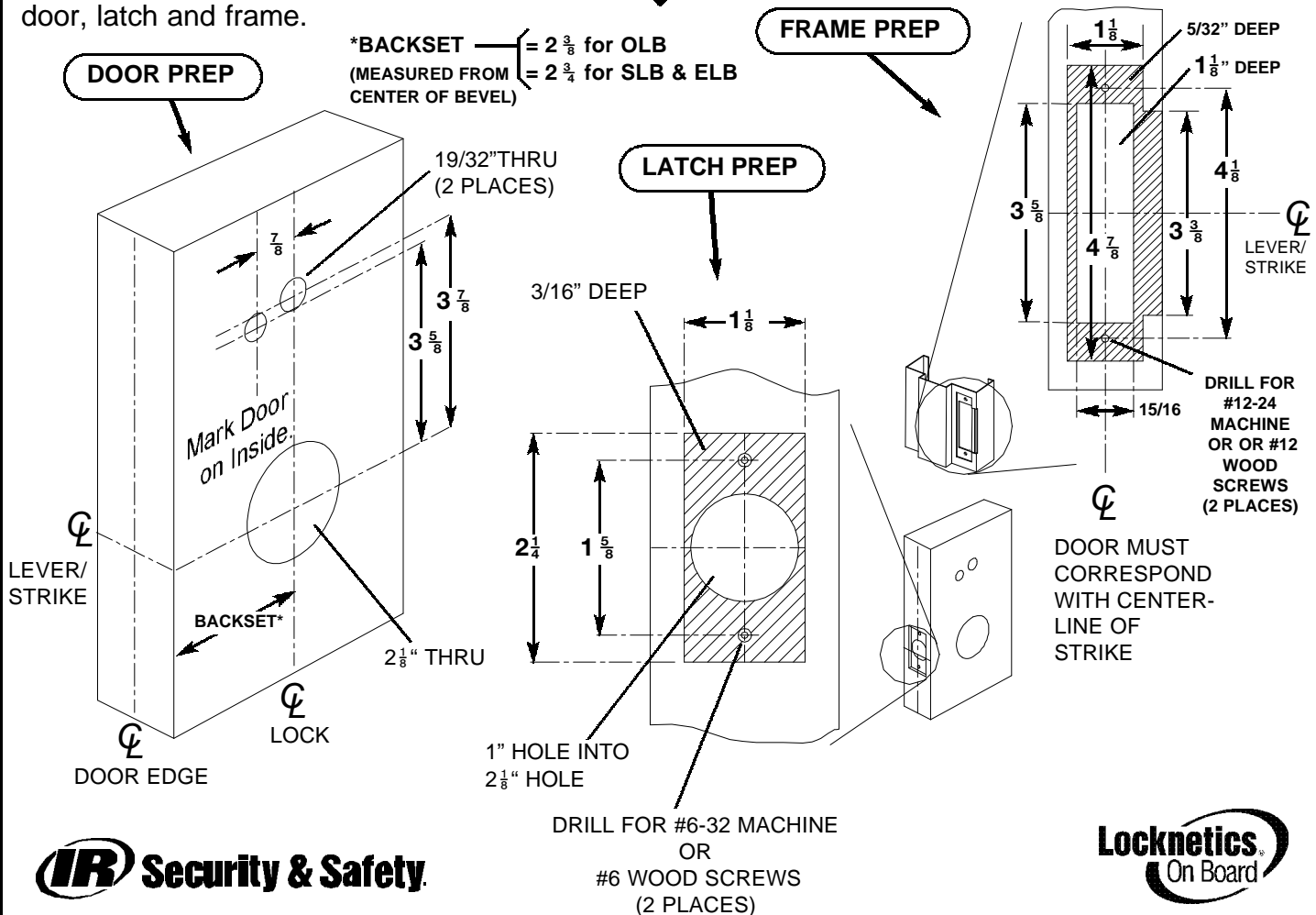


installed for the lock to operate. When the cylinder is removed (using the cylinder control key) the lock will unlock. Manual key override should only be necessary if the low battery output indications have been ignored. (See Battery Information on page 3). The design allows for mounting on doors from 1-1/2" to 2" thick. The retractor design allows easy adjustment for door thickness by rotation. A shim is available to mount the lock to a 1-3/8" door. An exterior gasket (EG option) is available for application to exterior sides of doors.

### DOOR, LATCH AND FRAME PREPARATION:

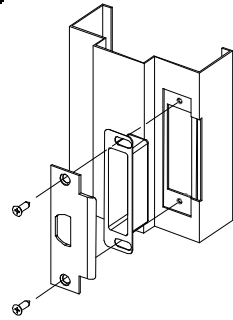
1

Use template or information below to prep door, latch and frame.



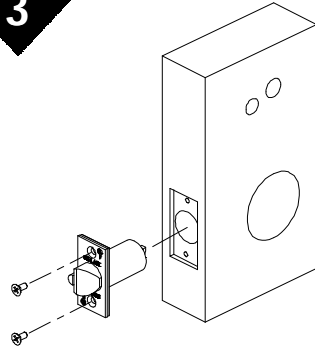
## INSTALL STRIKE & STRIKE BOX:

2



## INSTALL LATCH:

3

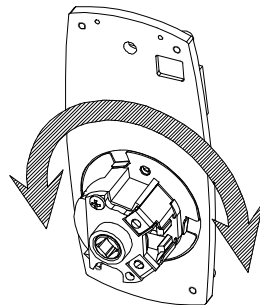


## SET RETRACTOR DEPTH:

4

Screw retractor all the way in and unscrew it the correct number of turns according to door thickness:

DOOR THICKNESS	NO. TURNS
1-3/8	0-1
1-1/2	0-1
1-5/8	1-2
1-3/4	2-3
1-7/8	3-4
2	4-5

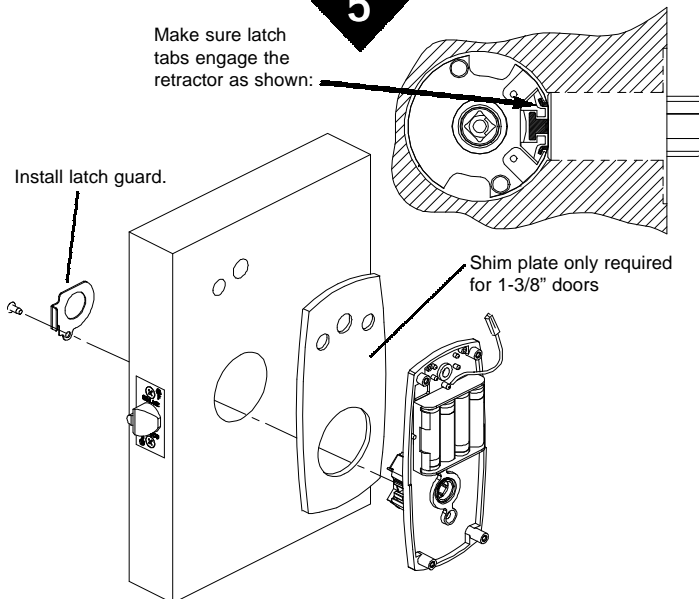


## INSTALL INSIDE BASEPLATE ASSEMBLY:

5

Make sure latch tabs engage the retractor as shown:

Install latch guard.



Shim plate only required for 1-3/8" doors

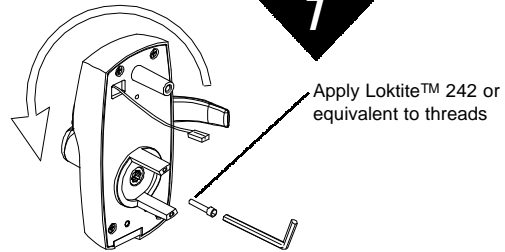
## INSTALL CYLINDER (RECOMMENDED):

6

SEE PAGE 4 FOR INFORMATION REGARDING THE USE OF MECHANICAL KEY OVERRIDE AND INSTALLATION STEPS FOR 7-PIN SMALL FORMAT IC CORE.

## REVERSE LEVERS (IF REQUIRED):

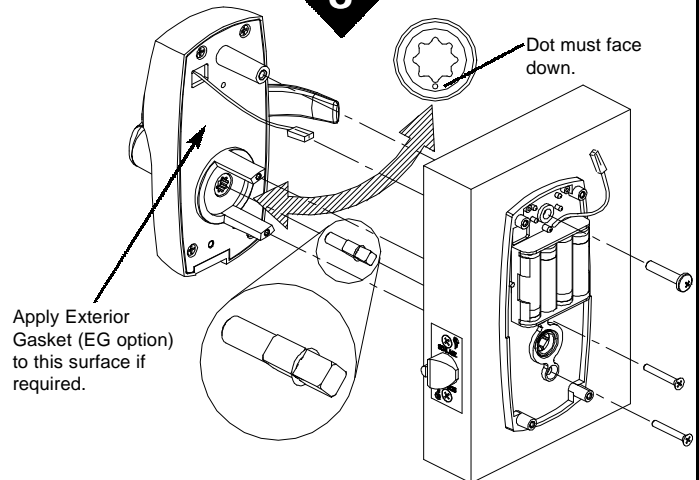
7



Apply Loktite™ 242 or equivalent to threads

## INSTALL OUTSIDE ESCUTCHEON/SPINDLE:

8



Dot must face down.

Apply Exterior Gasket (EG option) to this surface if required.

## INSTALL INSIDE ESCUTCHEON/SPINDLE:

9

Plug in wiring harness

